

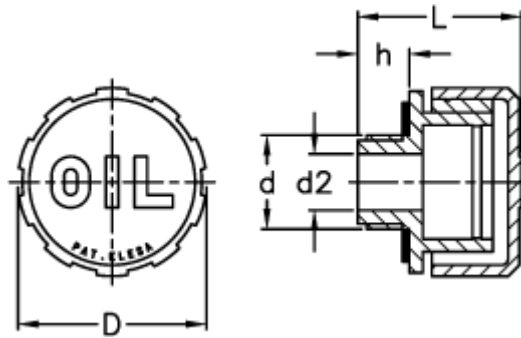
# Data Sheet



Article number: 2311053901

Description: E+G Filler breather  
SFN.30-3/8

## Measures



- D = 31
- d = G 3/8
- d2 = 10
- h = 9.5
- L = 29.5